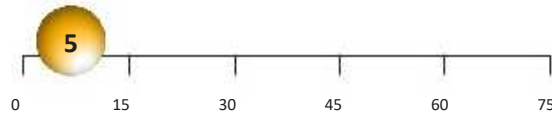


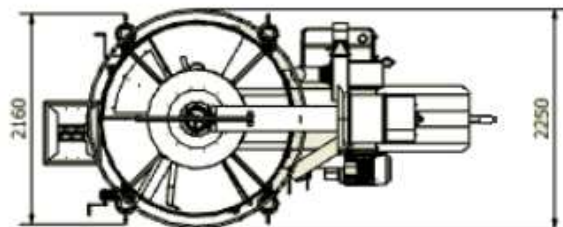
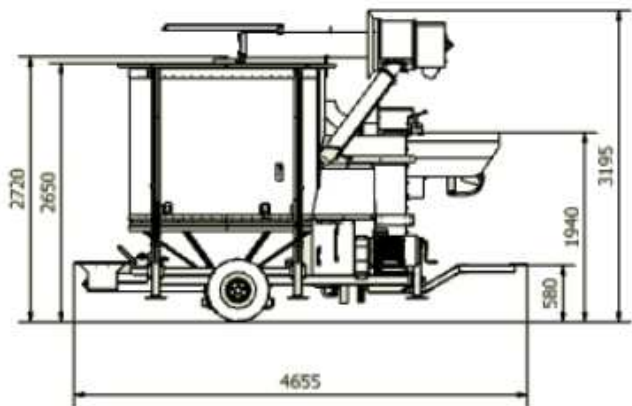
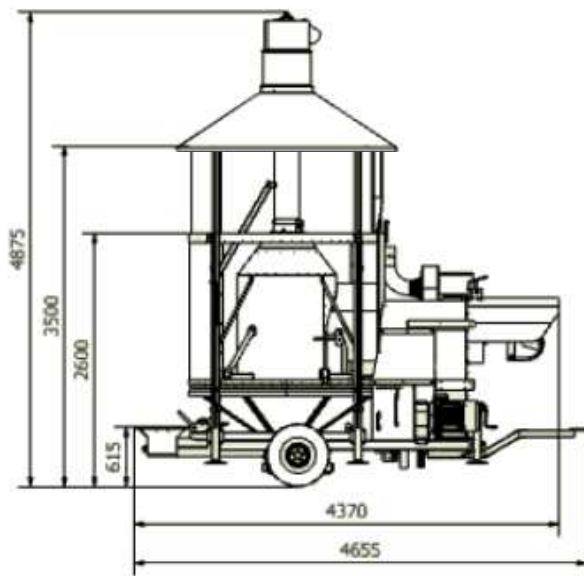
# MECMAR

NANO 5/40 T

CAPACITY  
(tonnes)



% moisture from - to	25-14	25-14	18-14	25-14	12-8	18-13
	Corn	Wheat	Soybean	Barley	Rapeseed	Rice
Hourly Output (ton/h)	1.2	1.2	1.5	1.0	1.1	0.7



All measurements in mm. The manufacturer reserves the right to change dimensions, capacities and output without prior notice.

## NANO 5/40 T

<sup>1</sup> Dryer capacity	6,9 m <sup>3</sup>
Dryer capacity (corn)	5,0 t

### PERFORMANCE

<sup>2</sup> Loading time	16 min
<sup>2</sup> Moisture extraction rate (corn)	4,0 % in 1 hr
<sup>2</sup> Cooling	Variable dependant on conditions
<sup>2</sup> Empty time	15 min

### POWER REQUIREMENTS

<sup>3</sup> Power required for tractor drive (min hp at PTO)	20 hp
PTO	470 rpm
<sup>3</sup> Power required for electric drive (min amps/phase)	21 - 27A / 400V
Single motor size (on dual drive)	11 – 15 kW

### SPECIFICATIONS

Loading hopper	Fully galvanized
Loading auger type	Simple SX
Inner/outer auger flight thickness	6 mm - 3 mm
Loading auger tube (thickness)	150mm diameter (2 mm)
Central auger type	Reinforced auger
Inner/outer auger flight thickness	10 mm - 5 mm
Inner/outer auger flight thickness on first spiral	10 mm - 5 mm
Central auger tube (thickness)	260mm diameter (4 mm)
Agitator drive	Gearbox drive independent of central auger
Agitator main bearing diameter	500 mm
Screen material (external and internal)	AISI 430 grade stainless steel
Screen perforation size	1.5 mm - 2.5 mm
Screen perforation density	33%
Fan type	Quiet centrifugal fan
Fan diameter	450 mm
Oil burner type	Riello two stage light oil burner
Oil burner fuels	Diesel or Kerosene (Bio-Diesel compatible)
Oil burner output	97 – 395 kW
Diesel tank capacity	260 l
Gas burner fuel	LPG / Methane gas
Gas burner output	97-395 kW

The manufacturer reserves the right to make change and/or improvements in specification without prior notice.

<sup>1</sup> Based on a specific weight of 750 kg/m<sup>3</sup>

<sup>2</sup> Performance figures are approximate and for general guidance only. Guidance is based on drying principles, computer simulations and field results.

Factors including crop type, crop conditions, excessive admixture and weather conditions may affect performance.

<sup>3</sup> Power requirements are an approximate guide only. Suitability of a specific power source to be established by a qualified person.